

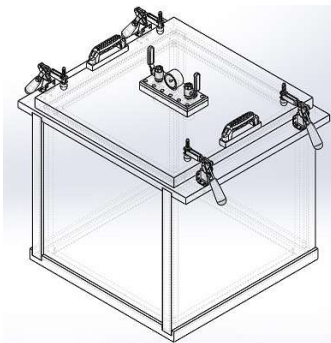


Acrylic Vacuum Chamber

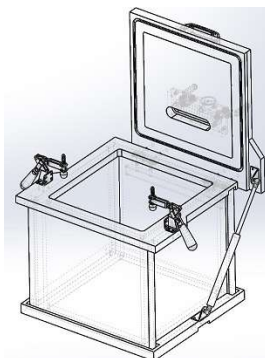
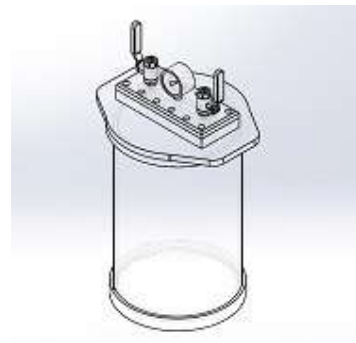
We are pleased to introduce to you our solidly constructed and well-made acrylic vacuum chambers. Our Crystalline Clear Acrylic Vacuum Chambers have undergone years of development, as well as financial investment. You are now looking at the most comprehensive and adaptable non-metallic vacuum chamber available. We take great satisfaction in our vacuum chambers for more than a dozen reasons. These include our Engineering Excellence, our Vacuum Epoxy (which is a trade secret), our price transparency, our precisely routed gasket groove, and a number of other factors.

Acrylic vacuum chambers are chosen over their metallic counterparts for a number of reasons. The key benefit is that acrylic vacuum chambers are adaptable and can be utilised in situations requiring rough, low and medium vacuum. Our acrylic vacuum chambers are currently rated for 75 microns, but larger vacuums are easily accomplished with the right pump. Cost effectiveness is the second benefit. Acrylic vacuum chambers are 4 to 10 times less expensive per vacuum volume than Stainless Steel vacuum chambers. The transparency of acrylic vacuum chambers allows for a complete view of the chamber interior during vacuum operations.

We can customize your vacuum chamber to anything imaginable.



Chamber Without lid
Support



Chamber With lid
Support





Product Details

S.no	Item	Cat No	Size
1	Rectangular Chamber Without Lid Support	CM-RVC-1212	12"x12"x12"
2		CM-RVC-1412	14"x14"x12"
3		CM-RVC-1414	14"x14"x14"
4		CM-RVC-1612	16"x16"x12"
5		CM-RVC-1616	16"x16"x16"
6		CM-RVC-2012	20"x20"x12"
7		CM-RVC-2016	20"x20"x16"
8		CM-RVC-2020	20"x20"x20"
9	Rectangular Chamber With Lid Support	CM-RVC-1212LS	12"x12"x12"
10		CM-RVC-1412LS	14"x14"x12"
11		CM-RVC-1414LS	14"x14"x14"
12		CM-RVC-1612LS	16"x16"x12"
13		CM-RVC-1616LS	16"x16"x16"
14		CM-RVC-2012LS	20"x20"x12"
15		CM-RVC-2016LS	20"x20"x16"
16		CM-RVC-2020LS	20"x20"x20"
17	Cylindrical Chamber Without Lid Support	CM-CVC-0812	08"x12"
18		CM-CVC-1012	10"x12"
19		CM-CVC-1212	12"x12"
20		CM-CVC-1218	12"x18"
21	Cylindrical Chamber With Lid Support	CM-CVC-0812LS	08"x12"
22		CM-CVC-1012LS	10"x12"
23		CM-CVC-1212LS	12"x12"
24		CM-CVC-1218LS	12"x18"

Check for the latest cominus products

<https://cominus.in/>

Office:- D-132 Sec 4 Bawana

DSIIDC Complex Delhi-110039

Landline:- 011-47553098

Mob:- 9027822747, 9667529087 Email:- sales@cominus.in