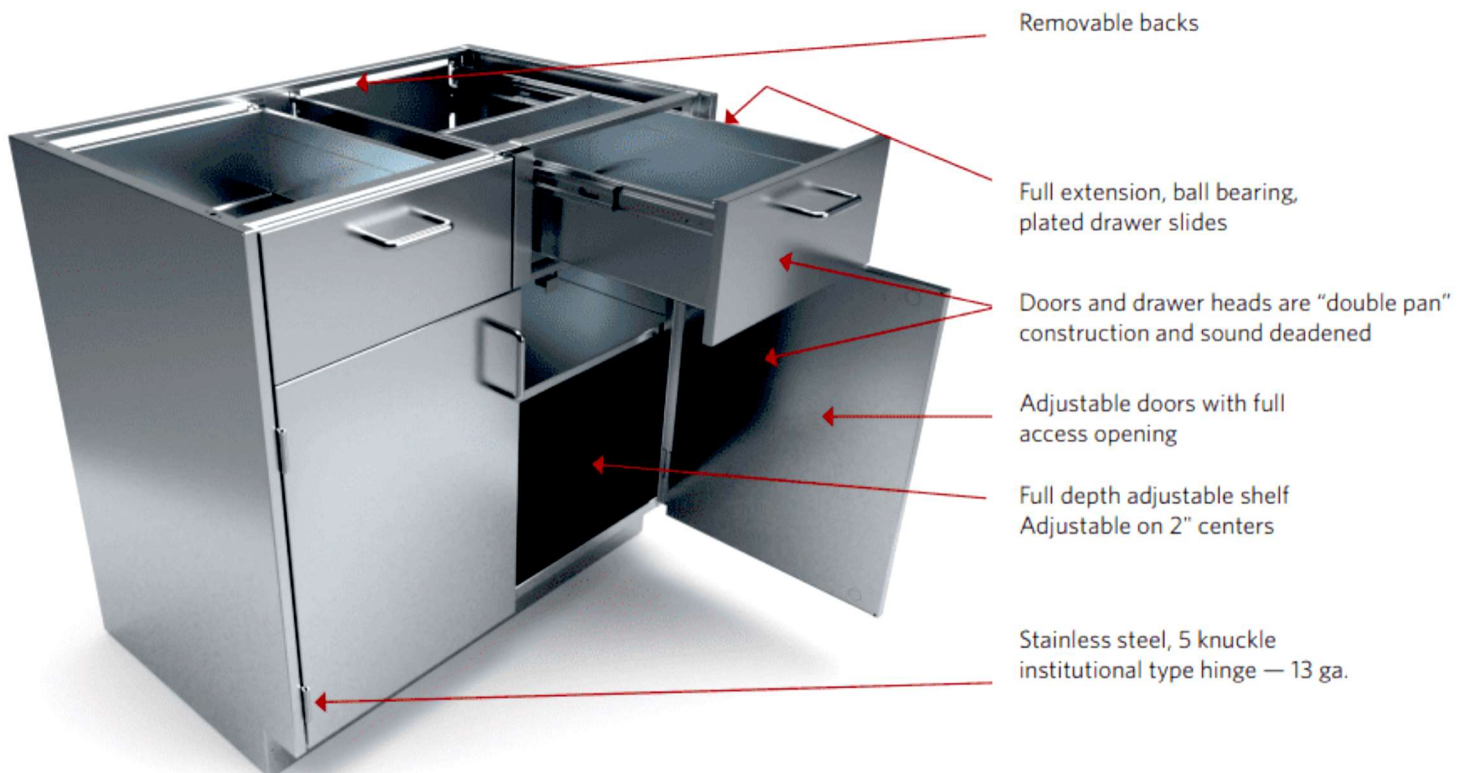


CONINUS

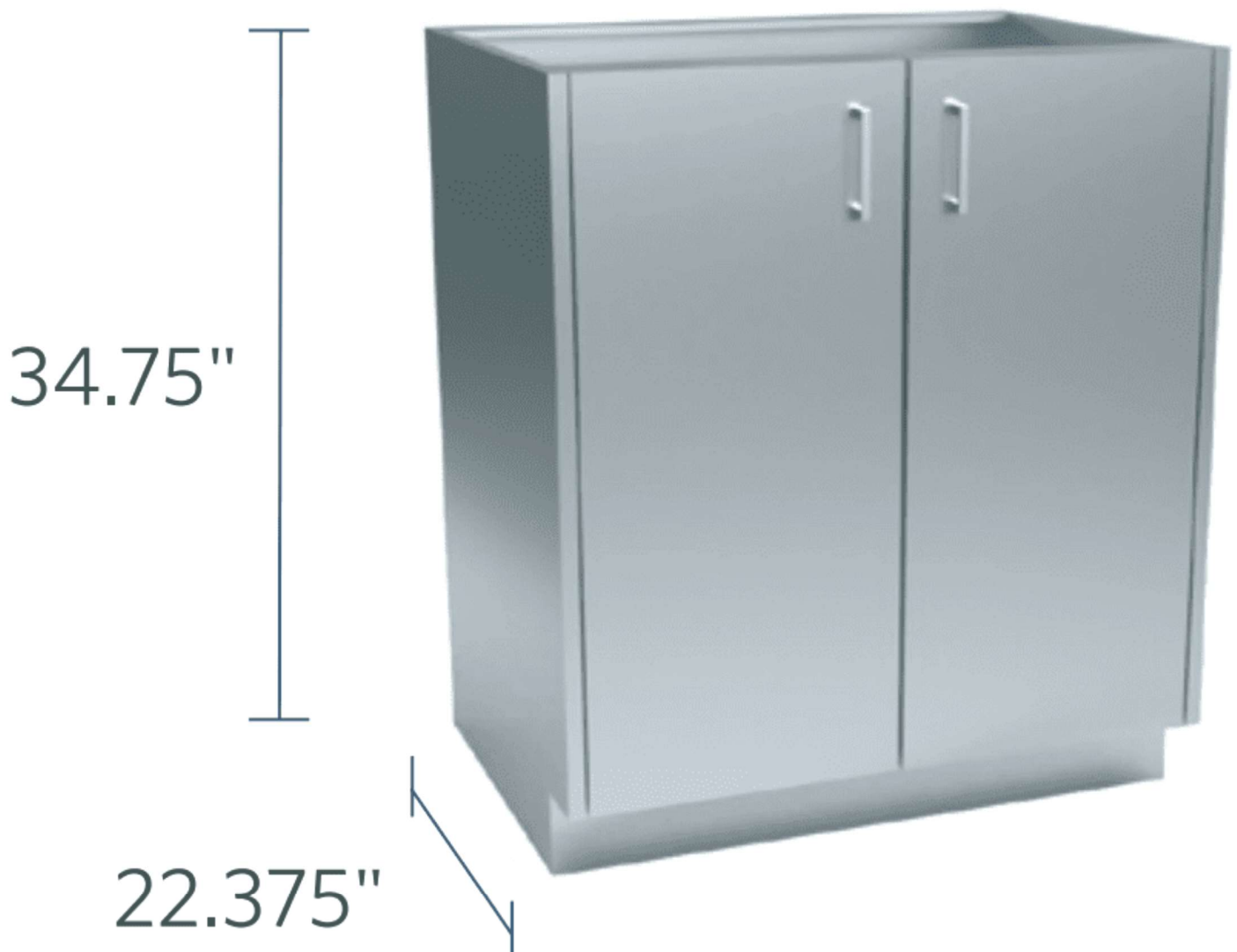
Storage Cabinets



CONINUS

Base Cabinet - Standing Height

Standing height base cabinets are 34.75" high and 22.375" deep. Units are available in various widths as shown. Door units feature a single shelf as standard. All open units have 2 shelves. Additional shelves are available. Specify left- or right-hinged doors using the suffix "L" or "R". If locks are required use the suffix "LK". If a finished back is required use the suffix "FB".



CONINUS

Open Cabinets



Up to 24" wide



30" and wider

Width
12"
15"
18"
21"
24"

Width
30"
36"
42"
48"

CONINUS

Door Cabinets



Width (L)
12"
15"
18"
21"
24"

Width (R)
12"
15"
18"
21"
24"



30" and wider

Width
30"
36"
42"
48"

CONINUS

Base Cabinet - Standing Height

Standing height base cabinets are 34.75" high and 22.375" deep. Units are available in various widths as shown. Drawer units feature 100 lb. full extension slides as standard. Door units feature a single shelf as standard. Additional shelves are available. Specify left or right-hinged doors using the suffix "L" or "R". If locks are required use the suffix "LK". If a finished back is required use the suffix "FB".



CONINUS

Drawer Cabinets



Up to 24" wide



30" and wider

Width
12"
15"
18"
21"
24"

Width
30"
36"
42"
48"

CONINUS

Door & Drawer Cabinets



Up to 24" wide



30" and wider

Width
12"
15"
18"
21"
24"

Width
30"
36"
42"
48"

CONINUS

Base Cabinet - Standing Height

Standing height base cabinets are 34.75" high and 22.375" deep. Units are available in various widths as shown. Drawer units feature 100 lb. full extension slides as standard. Door units feature a single shelf as standard. Additional shelves are available. Specify left or right-hinged doors using the suffix "L" or "R". If locks are required use the suffix "LK". If a finished back is required use the suffix "FB".

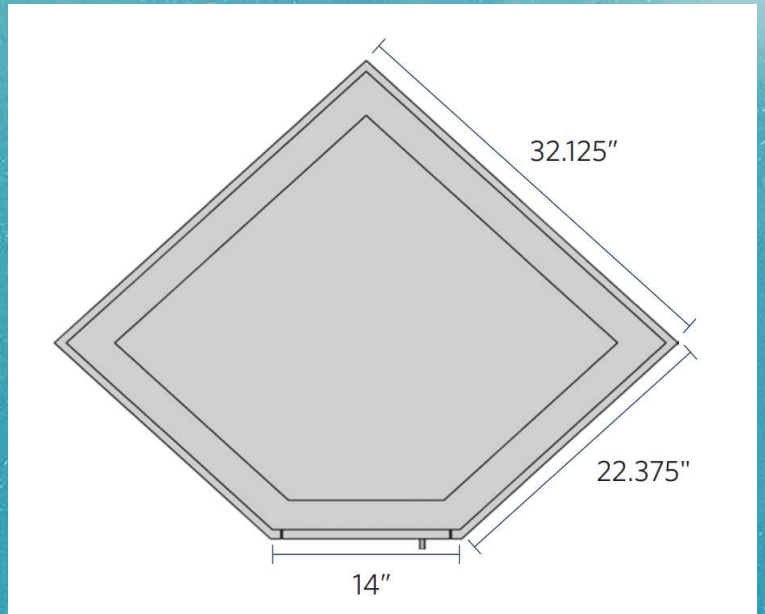


CONINUS

Corner Cabinets



Right-hinged door shown



Mobile Cabinets

All cabinets are available in a mobile version including low profile (27.18" high), sitting height (28.75" high), ADA height (31.75" high), and standing height (34.75" high). They come standard with a finished back and optional finished top. To specify a mobile cabinet use the prefix "M" to the base cabinet model number (example: SMB2724-110). They come standard with a 3" caster. 2" casters are available by adding the suffix "-2" to the part number. Cabinet depth with finished back is 22.812". All mobile cabinets with drawers come standard with a tip resistant counter weight.

Tops: please add the suffix "T" for steel, "E" for epoxy, "P" for phenolic. All tops are 3/4" thick and with a 7/8" overhang on front only.

(example SMB2724-110L-T-SS)

